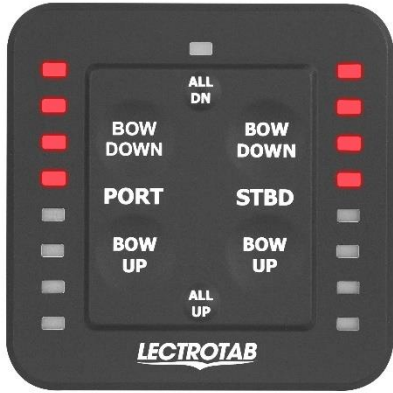


One-Touch Leveling LED Control



SLC-11

Lectrotab is excited to introduce a new control incorporating features requested by boat owners to provide a user friendly control for a more enjoyable boating experience.

- One-Touch button to raise/lower tabs
- Automatic tab position return
- Completely sealed and waterproof

FEATURES

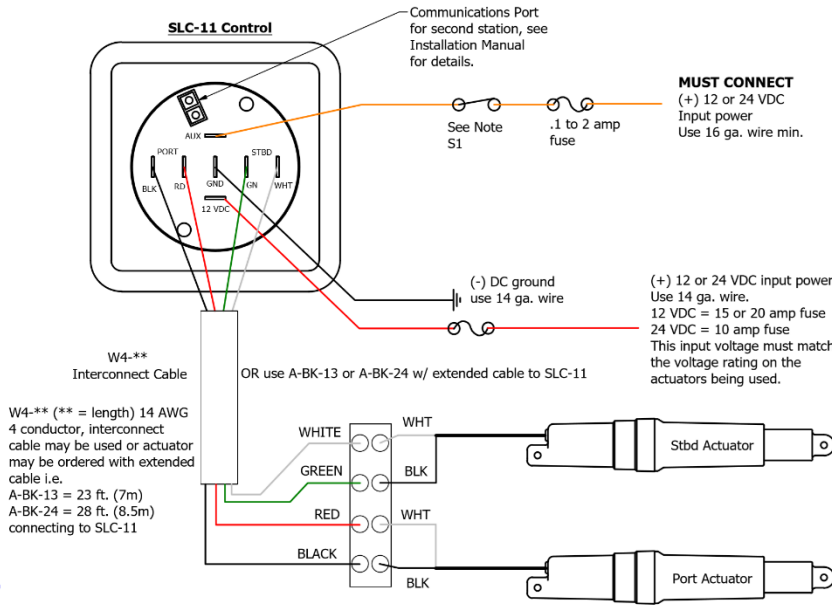
- Microprocessor based trim tab control with LED tab position indicators
- Single button press to move both tabs up or down simultaneously
- Direct replacement for Oval LED (SETR-61) controls
- Automatic return to last tab position if ignition key is turned off and back on again
- Completely sealed, completely waterproof and will not deteriorate in sunlight
- Automatic tab retraction and calibration with key or accessory switch off
- Easy upgrade from rocker switch style control
- No external power module required for single or dual actuator per tab systems
- LED tab position indicators dim automatically in darkness and brighten in sunlight
- Adjustable programming features located on back of specification sheet
- Operates on 12 or 24 volt dc systems

SPECIFICATIONS

Model Number	Display Color	Number of Stations/Actuators	Overall Width	Overall Height/Thickness	Mounting Hole Cutout (Diameter)	DC Voltage	Fuse Size Power Input (1 Actuator per Tab)	Fuse Size AUX Terminal (MUST CONNECT)
SLC-11	Black	1 or 2 Stations/ 1 or 2 Actuators/tab	3.0"/ 77mm	3.0"(77mm)/ .437"(11mm)	2.25" (57mm) to 2.5" (64mm)	12/24	12vdc = 15 or 20 amp 24vdc = 10amp	1 to 2 amp

SLC WIRING and DIMENSIONS

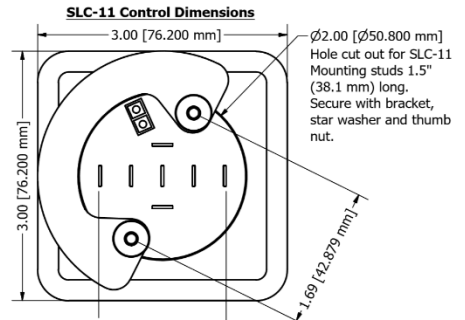
"SLC-11" Control Installation/Wiring Diagram



Note (for S1):
 SLC-11 AUX terminal function:

1) Switch (S1) opens, 12 VDC power to initiate a 10 second tab retract and SLC-11 control will shut down.

2) The AUX terminal is typically connected to a +12 VDC source that is shut down after docking to allow tabs to retract, recalibrate and prevent damage. The AUX terminal may be connected to ignition key accessory terminal or an accessory switch.



SLC PROGRAMMING

Program Mode Sequence						
Setting	Enter	Change Setting	Exit and Save	Range	Default	Program Details
Timing	Port Bow Down	Press and hold Stbd. Bow Up/Down	Port Bow Up	4 - 12 seconds	8 sec.	8 LEDs = 8 second actuator 4 LEDs = 4 second actuator
Swap LEDs	Starboard Bow Down	Stbd. Bow Up/Down	Port Bow Up	LEDs opposite or same side as button press	LEDs opposite	1 LED each side = LEDs opposite button press 8 LEDs each side = same side
Remember last tab setting	Port Bow Up	Stbd. Bow Up/Down	Port Bow Up	Standard retract/Remember last tab setting	Standard	8 LEDs each side = Standard 1 LED each side = Remember last tab setting
Disable Auto Tab Retract	All Up and All Down Simultaneously for 2 seconds or longer	Stbd. Bow Up/Down	Port Bow Up	Enable/Disable	Enable	1 LED each side = Auto Tab Retract Enable 8 LEDs each side = Auto Tab Retract Disable

Enter, Adjust and Exit Program Mode:

- Before entering program mode, 12vdc or 24vdc must be applied to Oval main power
- Power to AUX terminal must be OFF (Aux is typically connected to ignition key switch or aux switch)
- Press and hold button noted in Programming chart under column "Enter" for more than 2 seconds while switching the Aux terminal switch to ON at the same time
- Release the "Enter" button and press "STBD BOW UP or DOWN" button to change the value
- Press and hold "PORT BOW UP" for more than 2 seconds to exit program mode